

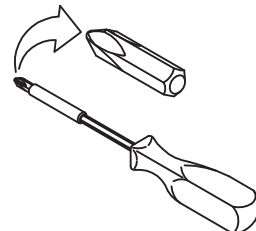
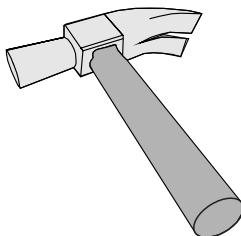
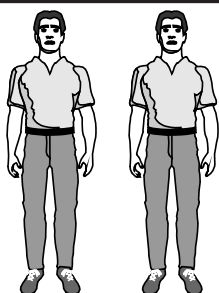
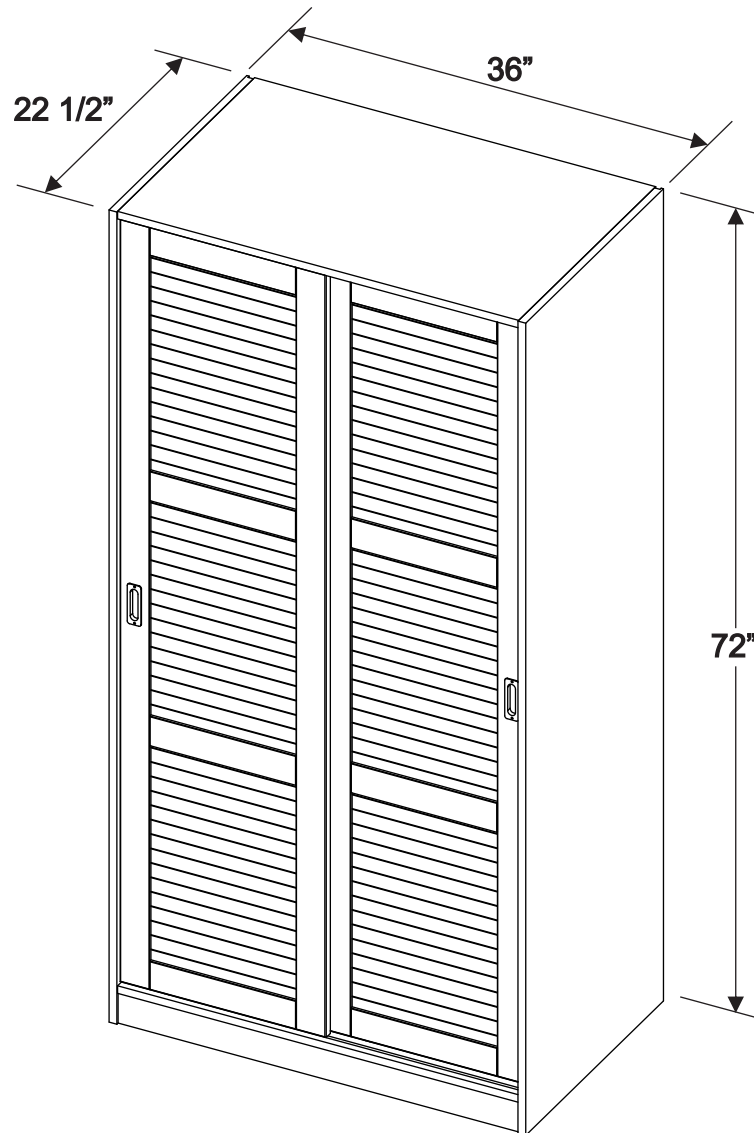
ASSEMBLY INSTRUCTIONS

INSTRUCCIONES DE MONTAJE

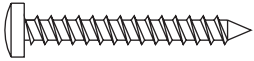
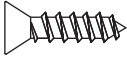
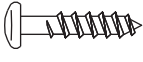

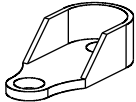
2 SLIDING DOOR WARDROBE



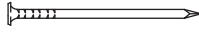
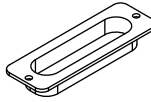
Ref. 5661 - Whitewash

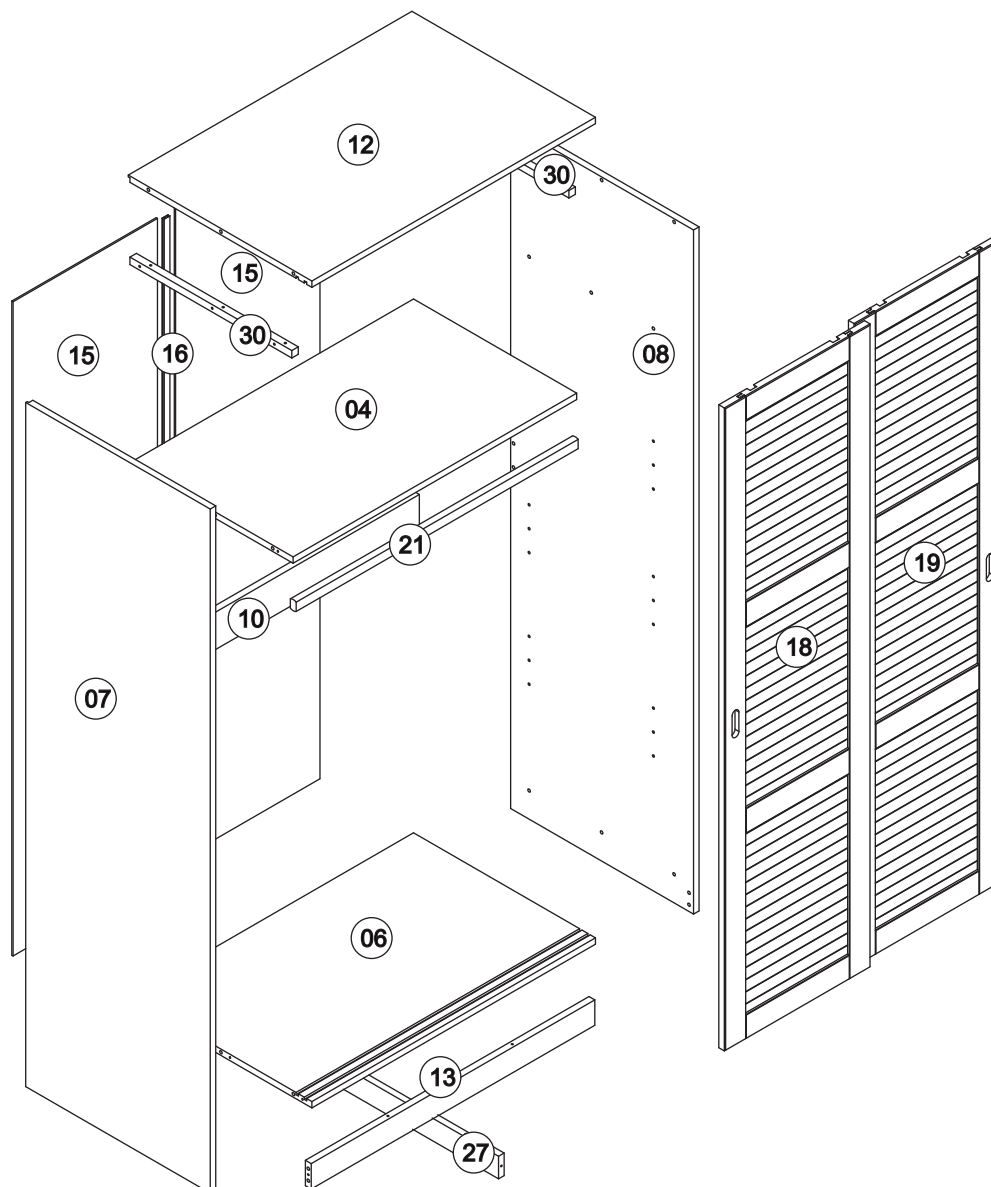
Ref. 5666 - Java



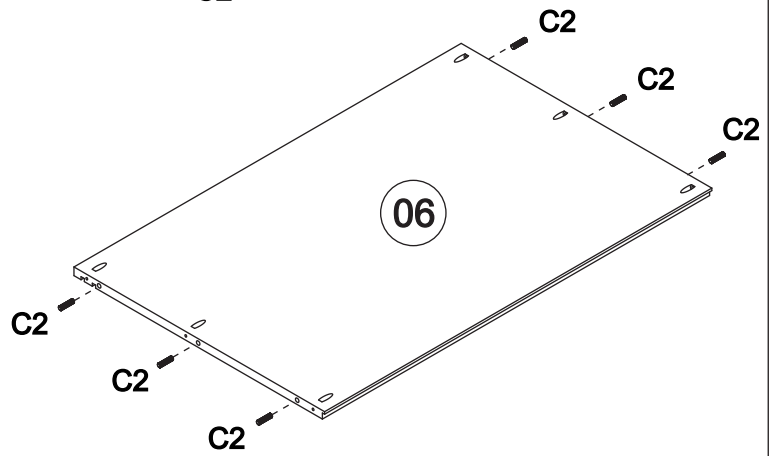
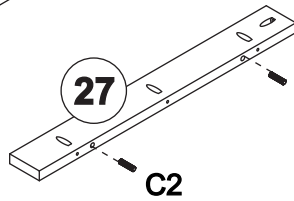
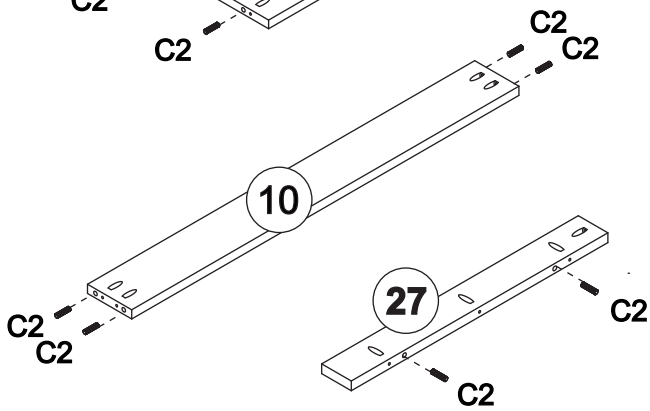
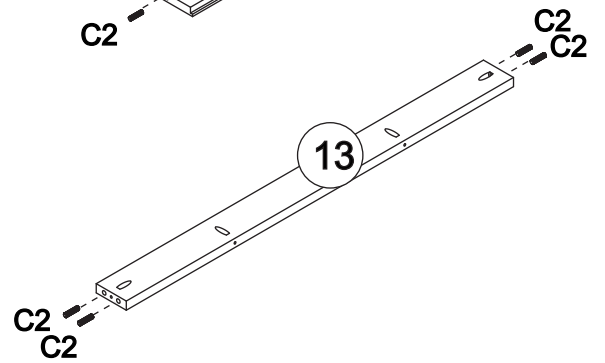
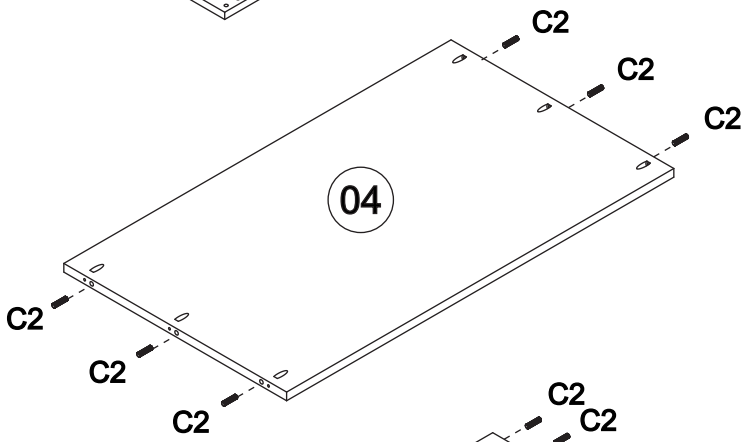
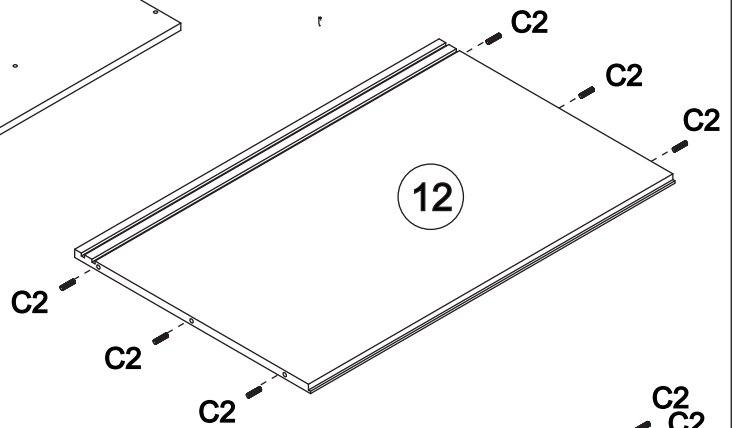
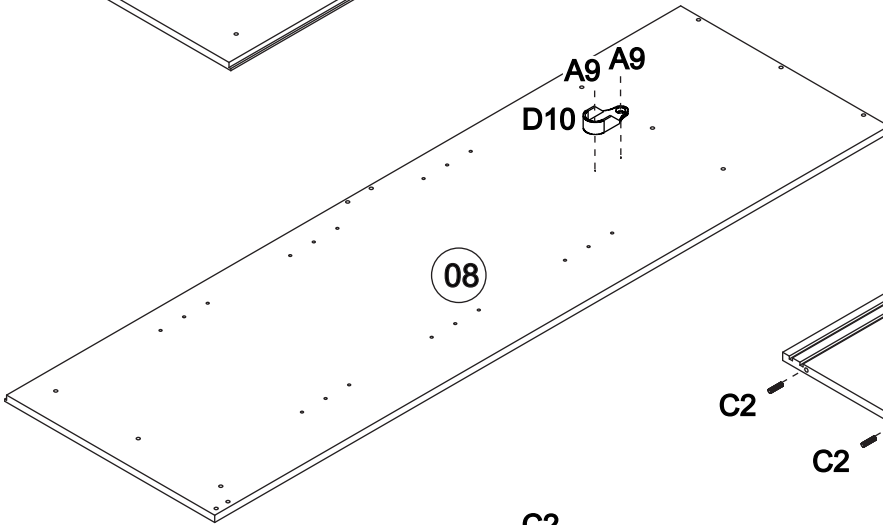
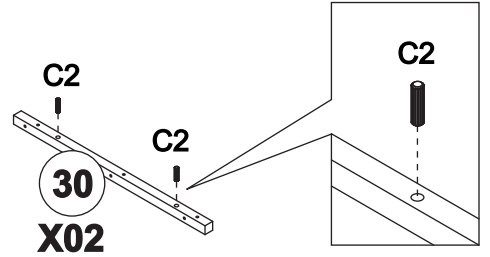
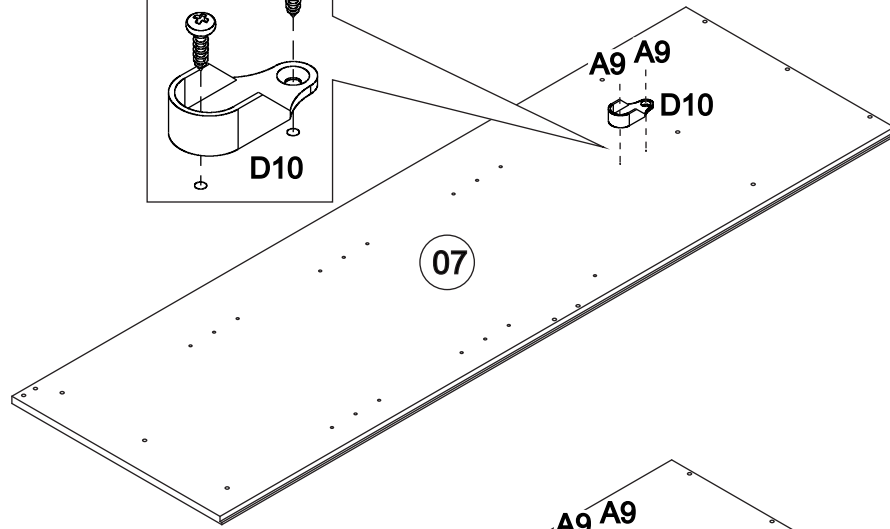
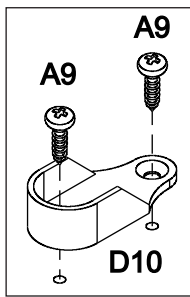
HARDWARE IN ACTUAL SIZE / ACCESORIO ENTAMAÑO REAL

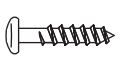


A1	 4,0x30	36
A3	 3,0x16	04
A9	 3,5x16	20
C2	 8,0x25	32
D10		02

E6	 DOOR TOP	04
E7	 DOOR BOTTOM	04
G1	 10x10	38
H2		02

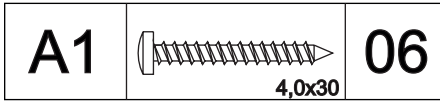
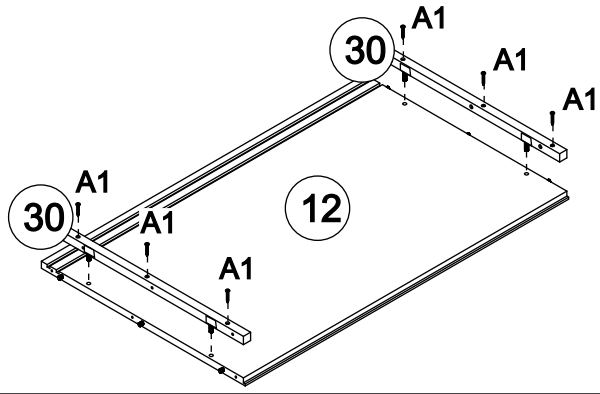


01)

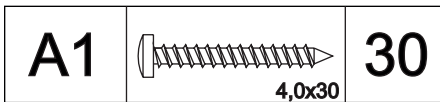
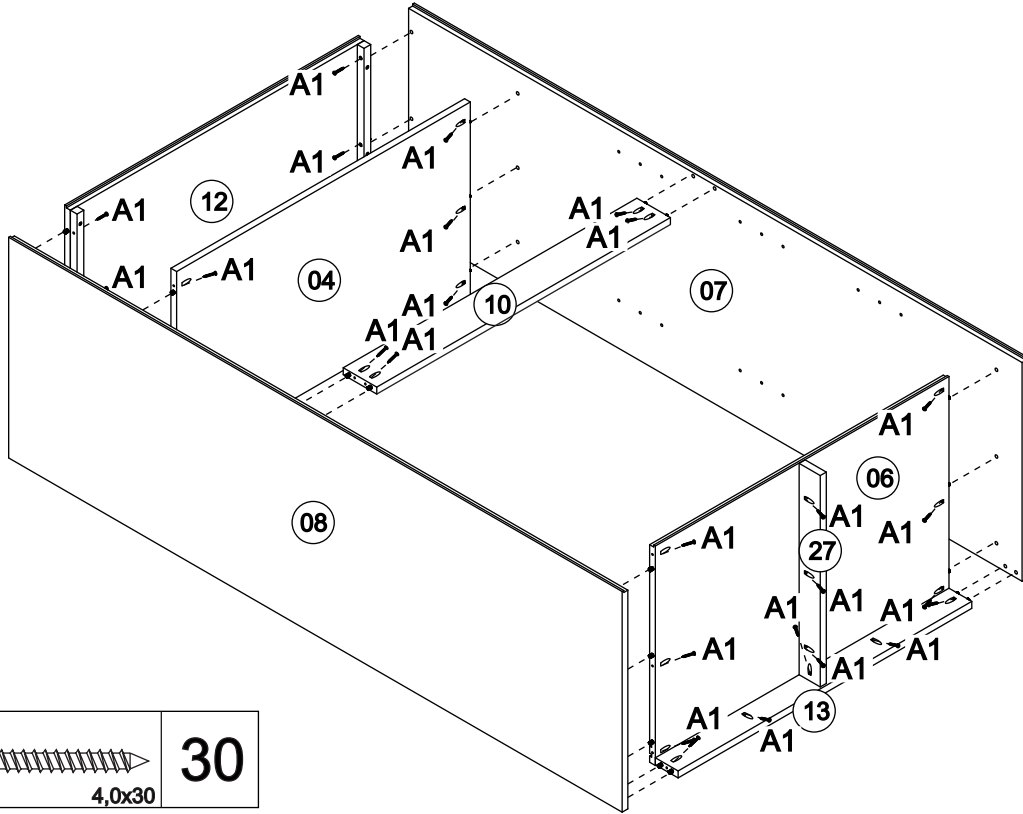


A9		04	C2		32	D10		02
	3,5x16			8,0x25				

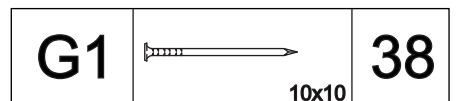
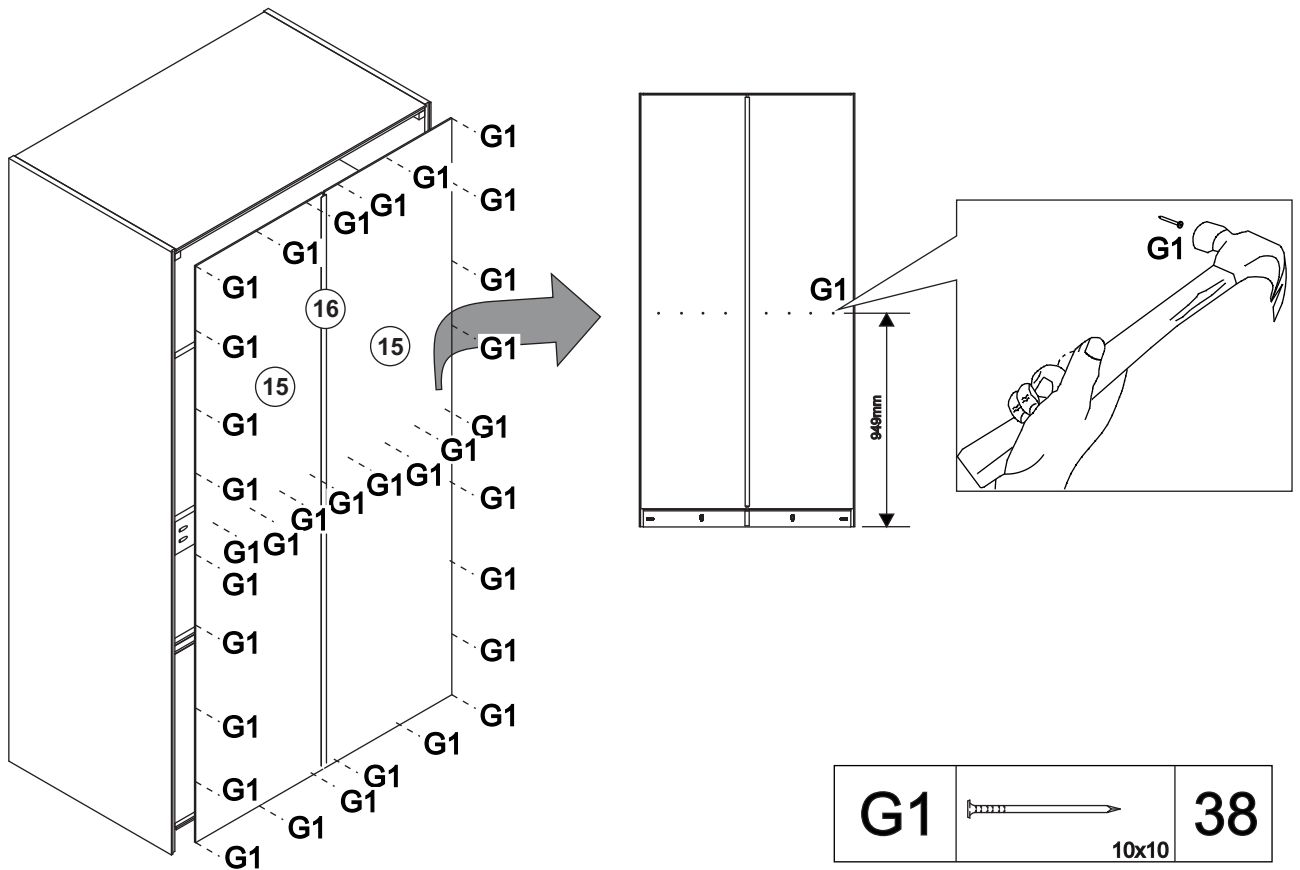
02)



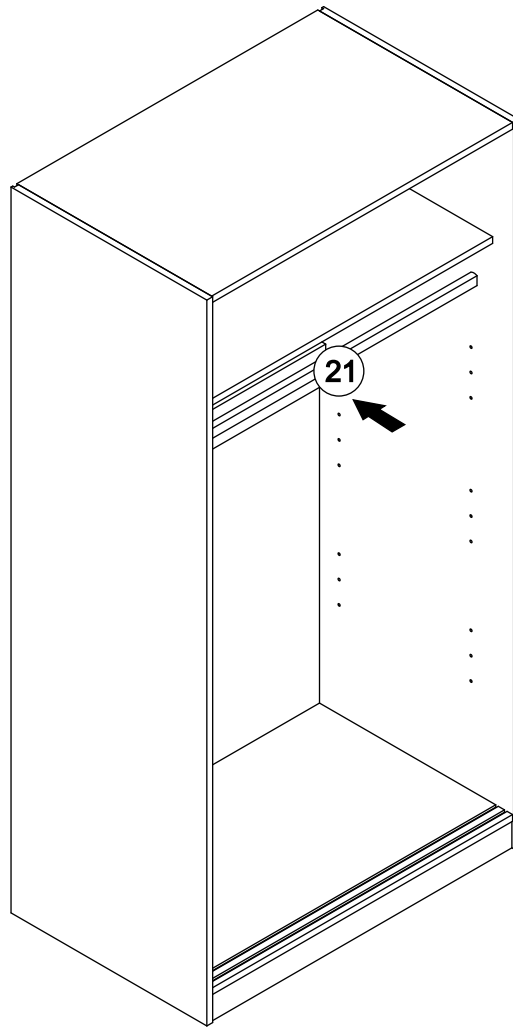
03)



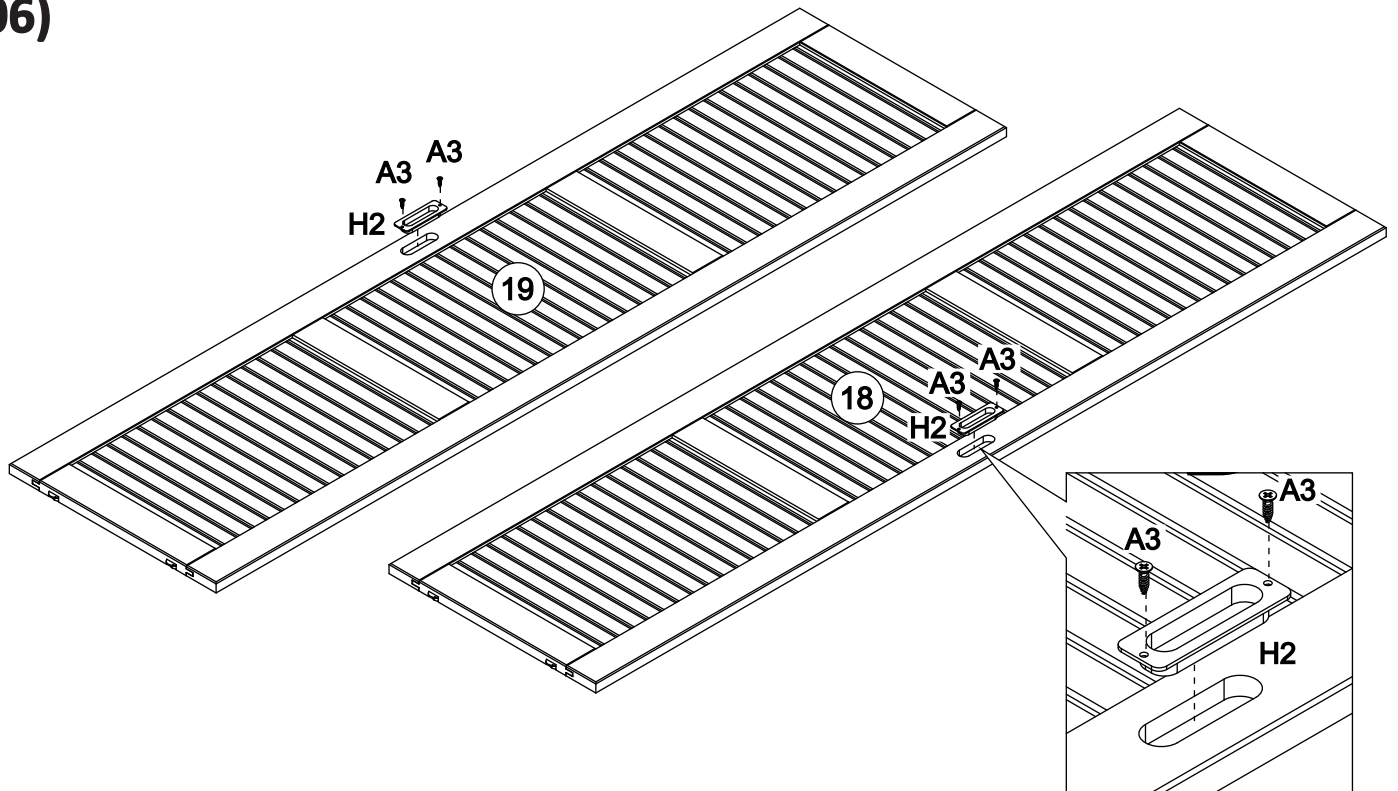
04)


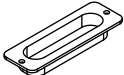


05)



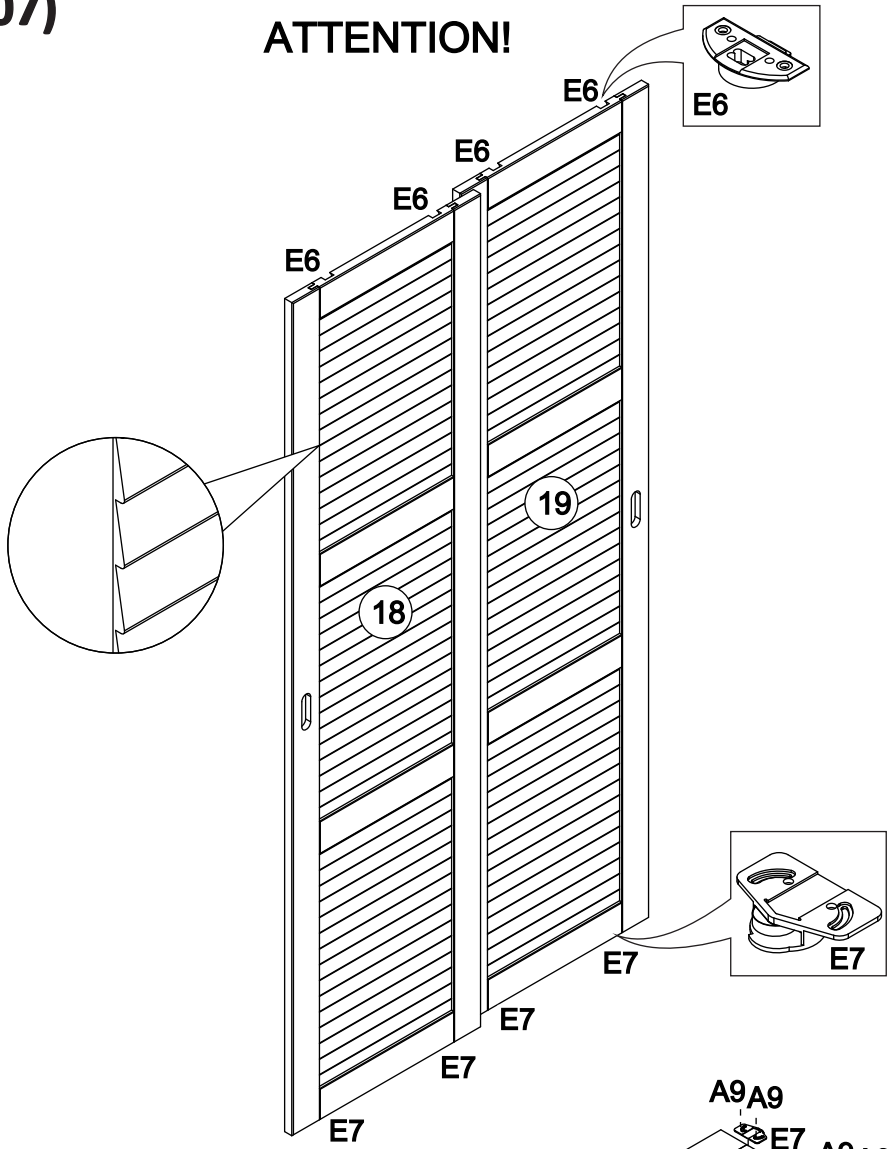
06)

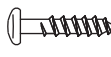




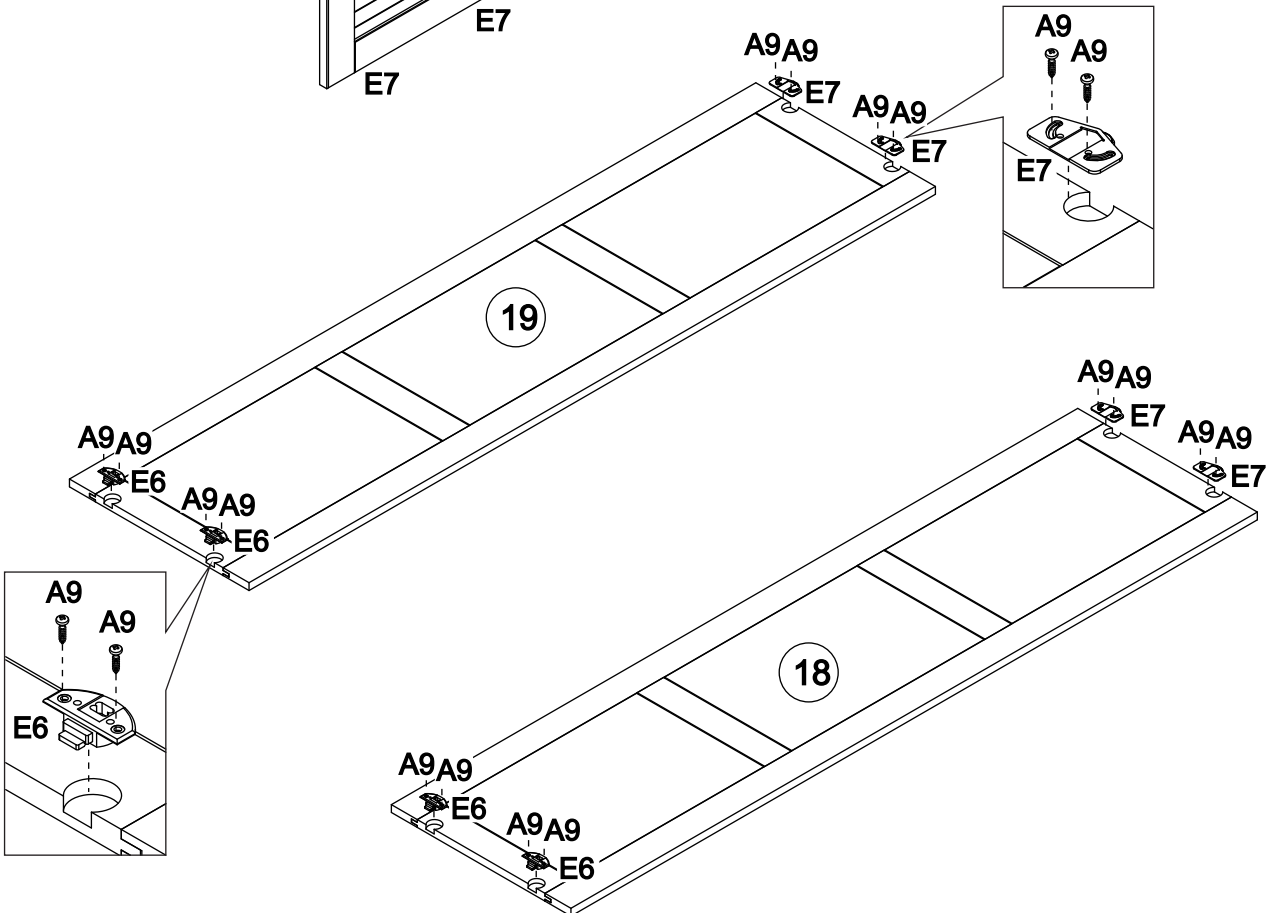
A3	 3,0x16	04
H2		02

07)

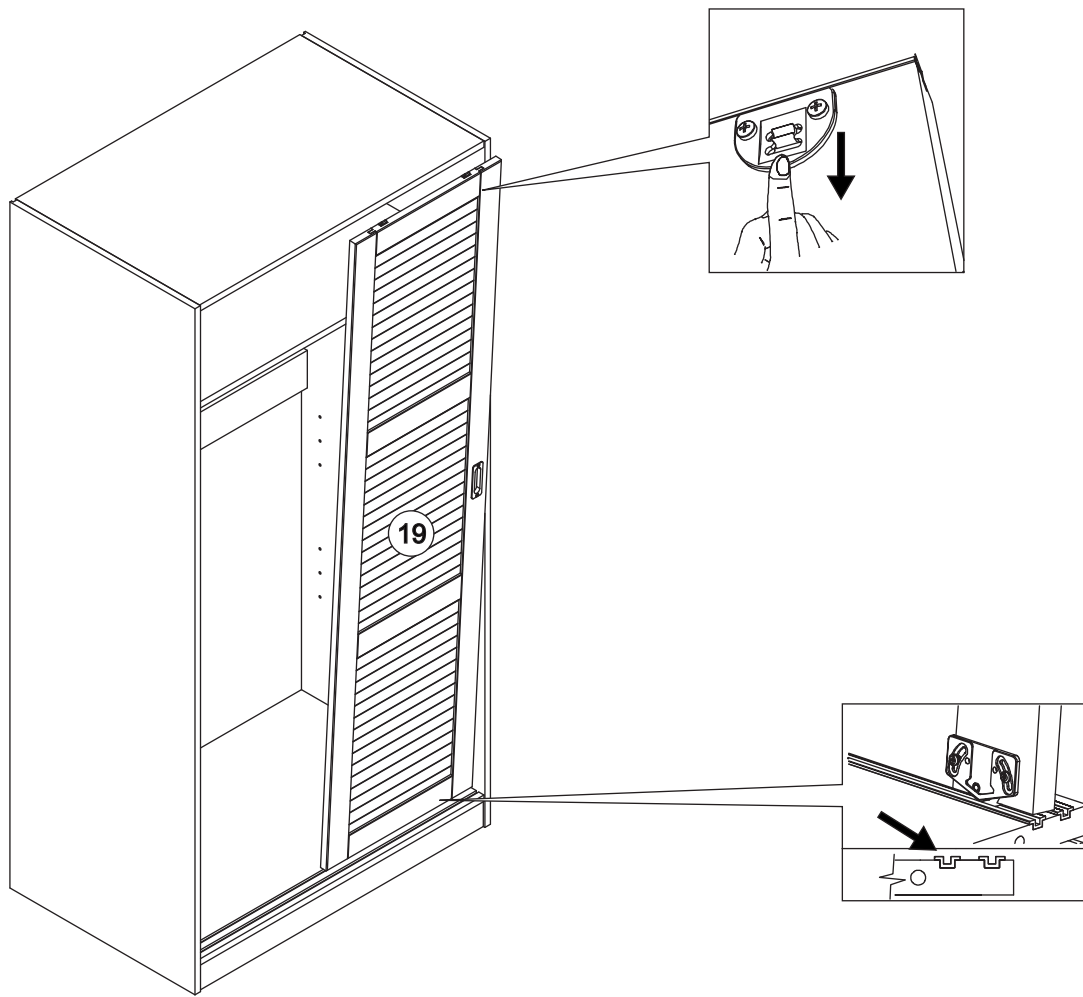
ATTENTION!



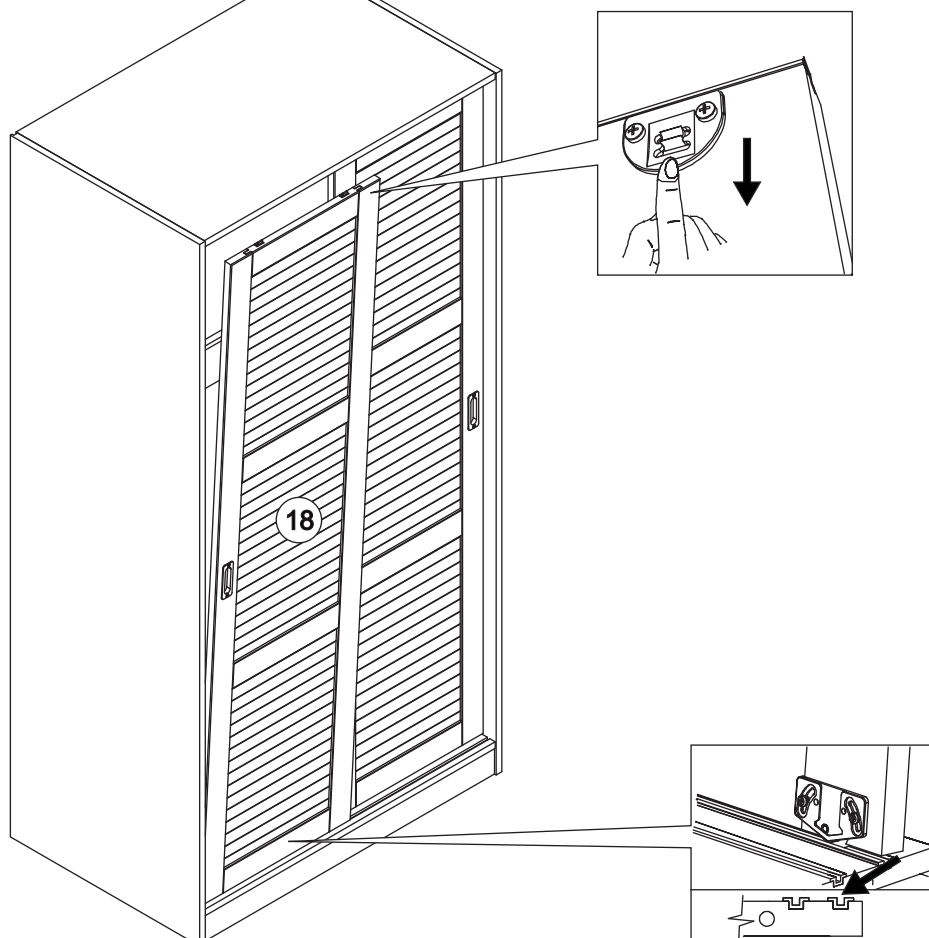
A9	 3,5x16	16
E6	 DOOR TOP	04
E7	 DOOR BOTTOM	04



08)



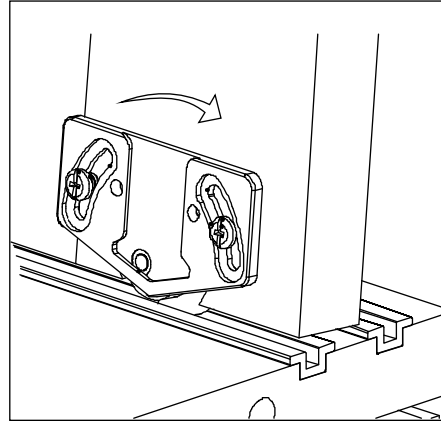
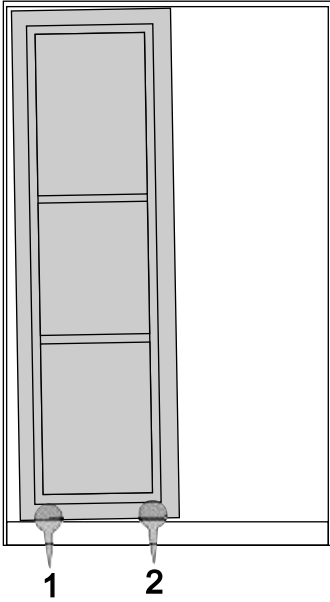
09)



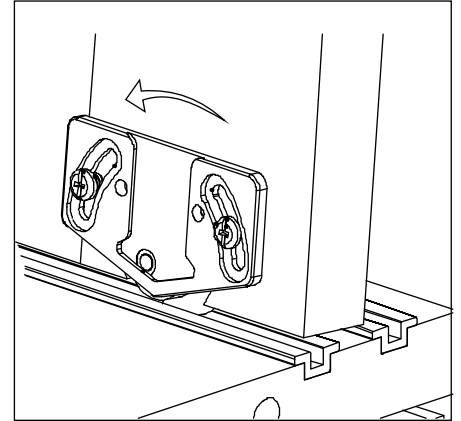
10)

Door Adjustment

If a door is tilted to the left

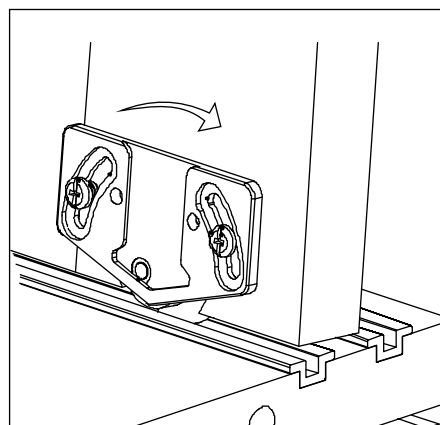
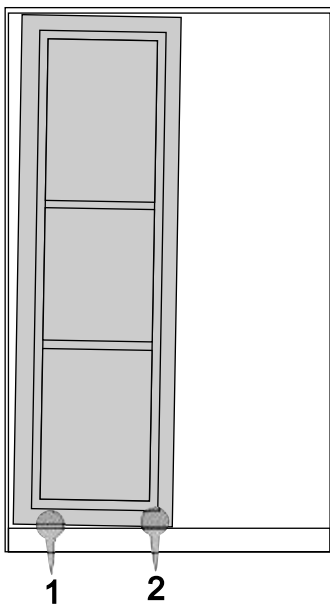


release the screws and
turn slide 1 clockwise

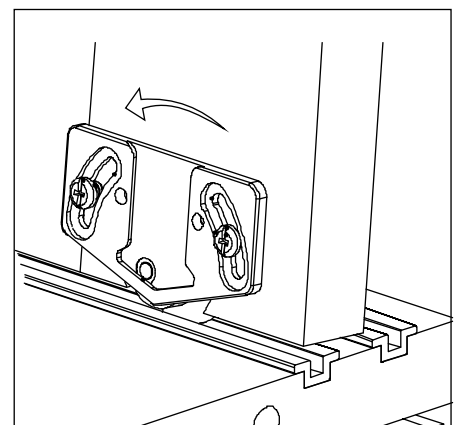


release the screws and
turn slide 2 counterclockwise

If a door is tilted to the right



release the screws and
turn slide 1 counterclockwise



release the screws and
turn slide 2 clockwise